

BRK Brands, Inc., ("BRK") warrants that for a period of five (5) years from the date of purchase, this product will be free from defects in material and workmanship. BRK, at its sole option, will repair or replace this product or any component of the product found to be defective during the warranty period. Replacement or repair will be made with a new or remanufactured product or component. If the product is no longer available, replacement may be made with a similar product of equal or greater value. This is your exclusive warranty.

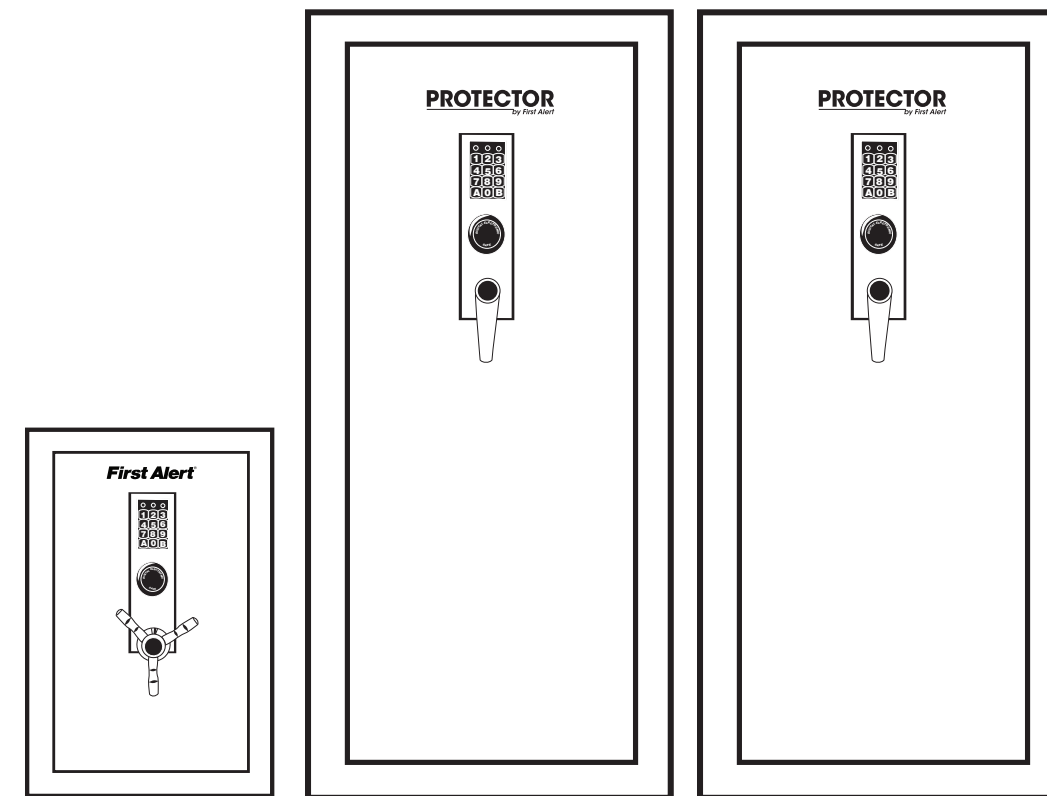
This warranty is only valid for the original retail purchaser from the date of initial retail purchase and is not transferable. You must keep the original sales receipt. Proof of purchase is required to obtain warranty performance. BRK dealers, service centers, or retail stores selling this product do not have the right to alter, modify or in any way change the terms and conditions of this warranty.

This warranty does not apply to the finish on the product. This warranty does not cover normal wear and tear of parts or damage resulting from any of the following: negligent use or misuse of the product, use contrary to the operating instructions, disassembly, repair or alteration by anyone other than BRK or an authorized service center, improper installation, or exposure to extremes of heat or humidity. Further, the warranty does not cover Acts of God, such as fire, flood, hurricanes and tornadoes.

BRK shall not be liable for any incidental or consequential damages caused by the breach of any express or implied warranty. BRK is also not responsible for: costs associated with removing or installing the product; damage or loss of the contents of the product; nor for the unauthorized removal of the contents; or damages incurred during shipment.

Except to the extent prohibited by applicable law, any implied warranty of merchantability or fitness for a particular purpose is limited in duration to the duration of the above Warranty Period. Some states, provinces or jurisdictions do not allow the exclusion or limitation of incidental or consequential damages or limitations on how long an implied warranty lasts, so the above limitations or exclusion may not apply to you. This warranty gives you specific legal rights, and you may also have other rights that vary from state to state, or province to province, or jurisdiction to jurisdiction.

Operation & Installation Guide



EXECUTIVE SAFE

If you have any questions that cannot be answered by reading this manual, call Consumer Affairs at 1-800-323-9005

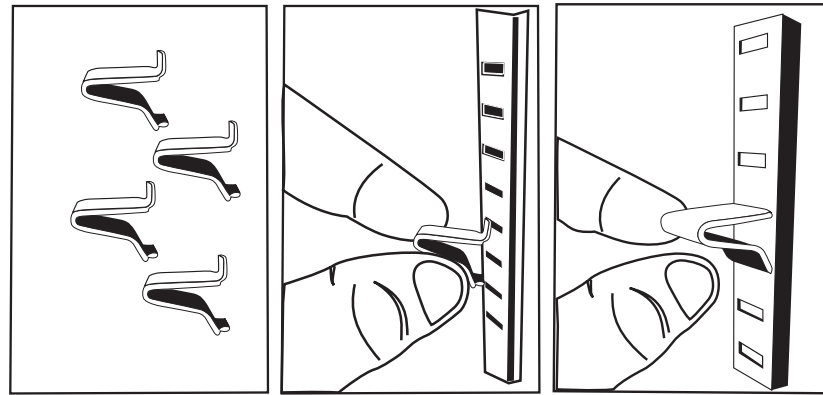
© 2010 BRK Brands, Inc., a Jarden Corporation company (NYSE: JAH)
3901 Liberty Street Road, Aurora, IL 60504-8122
All rights reserved.

www.FirstAlert.com

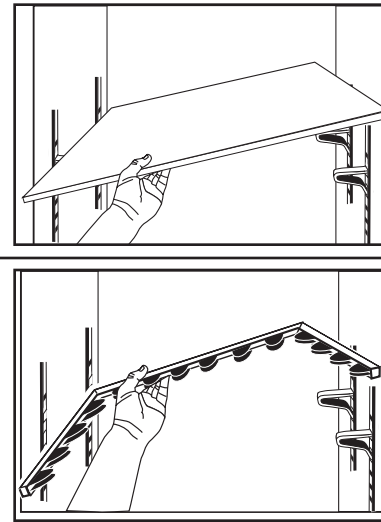
Models 2484DF / 6741DF / 6742DF

- Read carefully
- Keep for reference
- Do not keep inside of safe

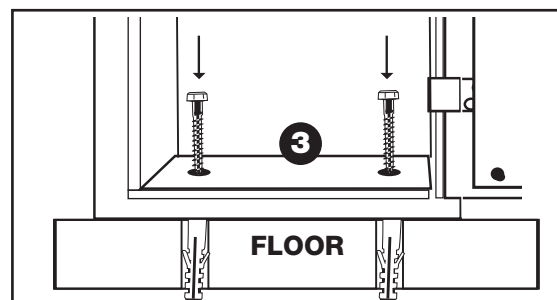
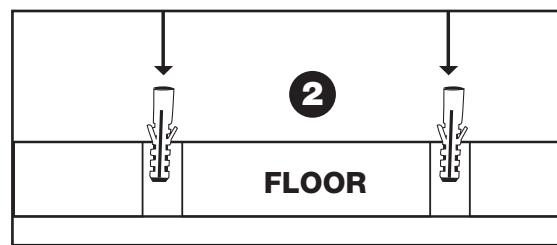
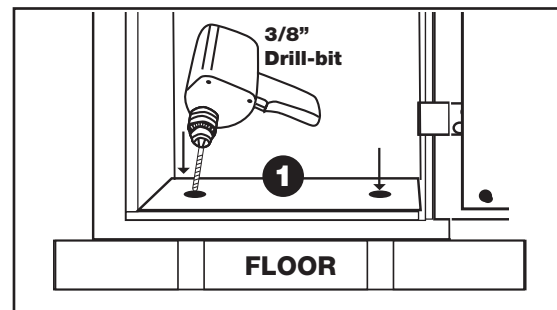
Shelf install



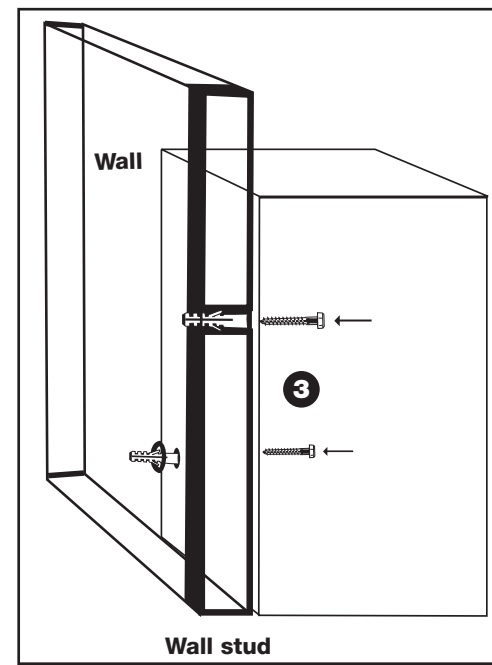
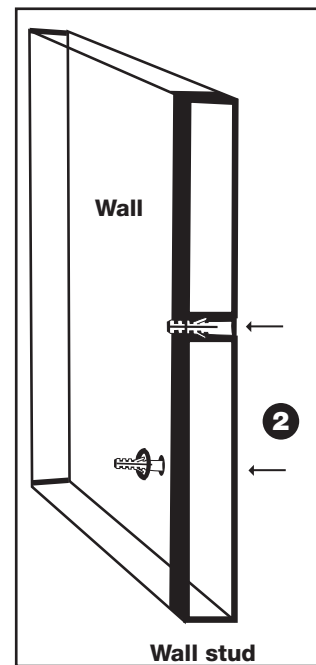
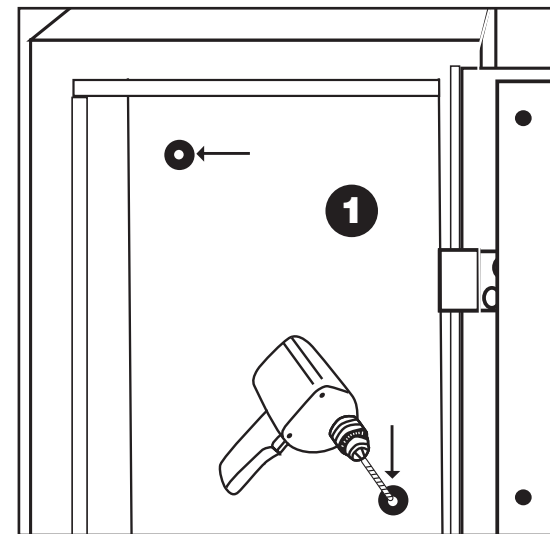
6741DF, 6742DF



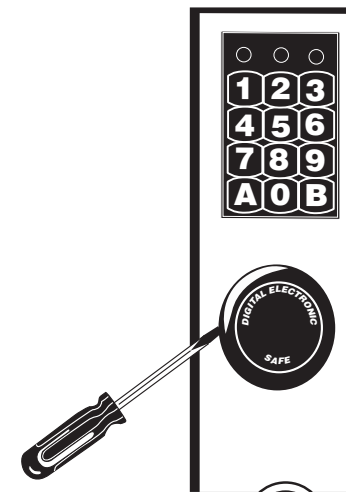
Floor mounting



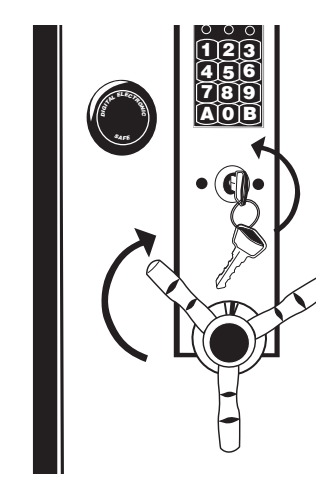
Wall mounting



Override key use

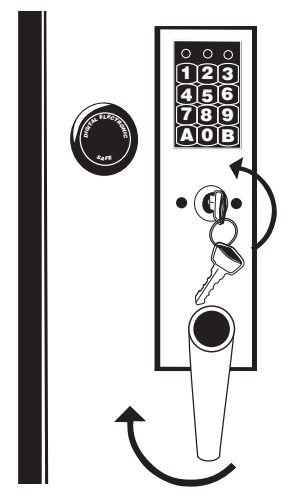


Remove override key lock cover



Insert key and turn counterclockwise and hold. Rotate handle clockwise then pull door open

6741DF / 6742DF



Important:

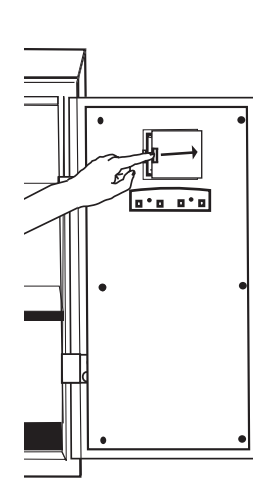
If the handle will not rotate clockwise after the key is turned, then rotate the handle slightly counterclockwise until it stops, then rotate clockwise again to open.

Important:

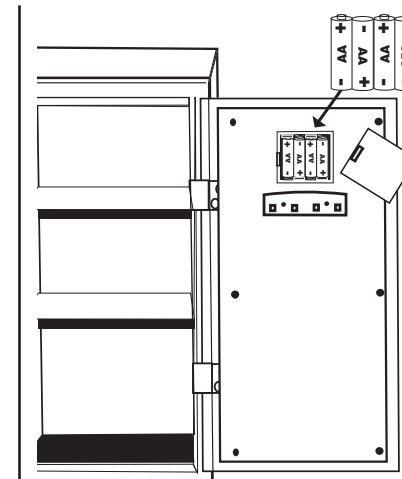
The override key is used to gain access to the safe to change batteries or if the digital lock fails to operate. This key should be stored in a secure place away from your safe.

Battery install

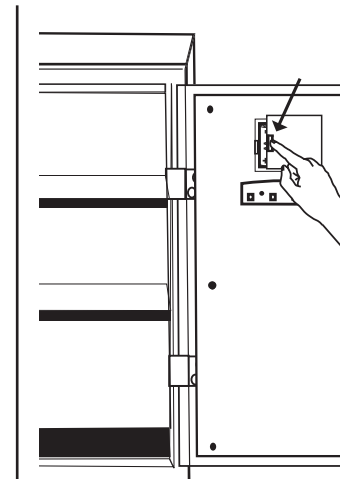
Press the "B" key. If lights flash red or no lights then replace batteries. If lights flash yellow batteries are ok.



Remove battery cover

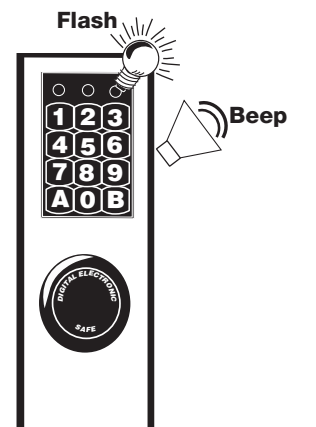


Install 4 "AA" batteries in the correct direction



Replace battery cover

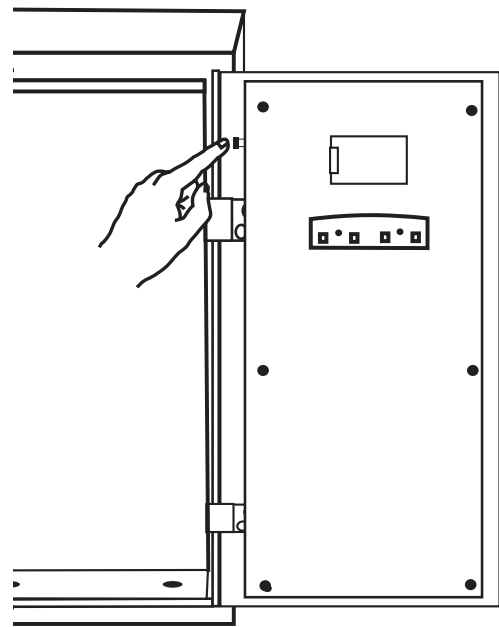
If installed correctly:



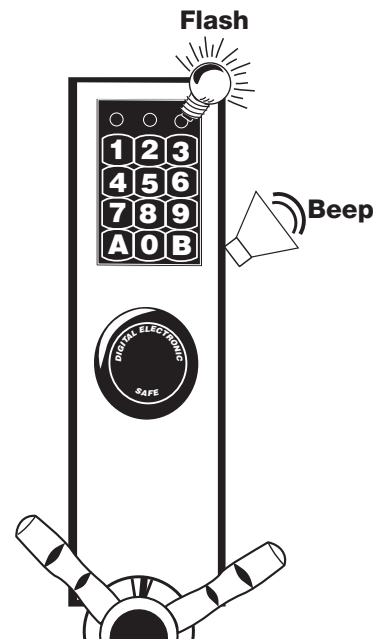
Red light flashes followed by audible beep

Programming Personal Passcode

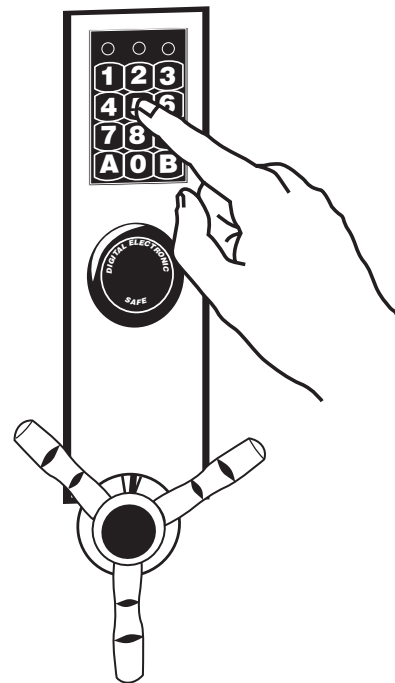
Closing safe



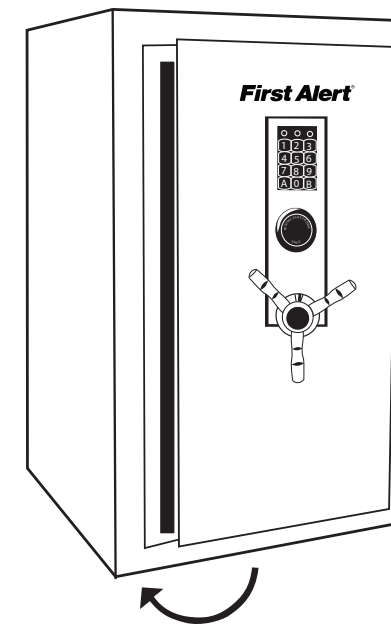
Press reset button



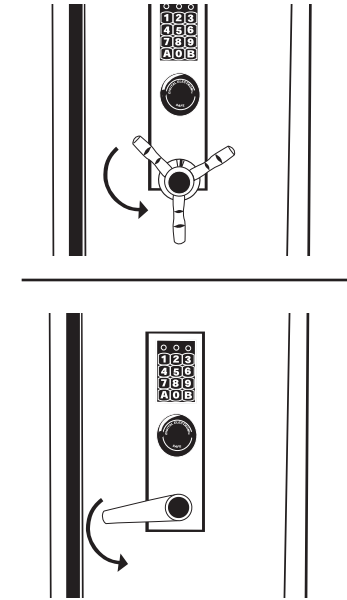
Ready light flashes along with a beep



Enter new code: 3-8 digits followed by the "A" or "B" key



Push door closed then rotate handle counterclockwise fully into the locked position.

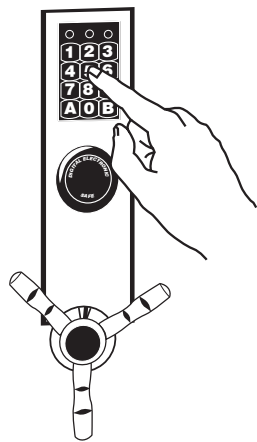


TROUBLE SHOOTING:

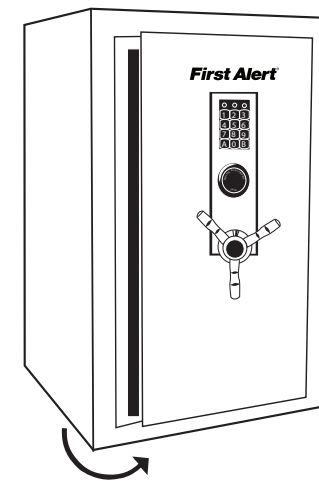
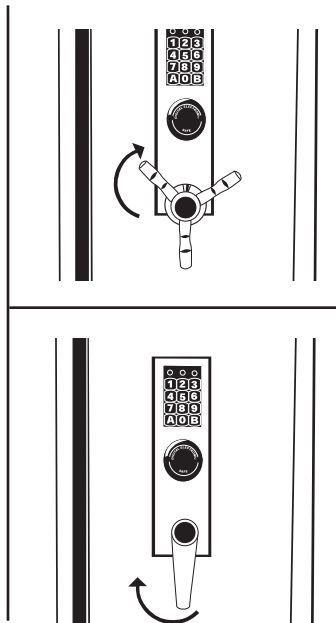
If safe fails to open with your Personal Passcode, try the following:

1. Check to see if the batteries have been installed properly and replace if necessary.
2. Lock-out may have occurred. Wait 15 minutes before trying again.
3. Contact BRK Consumer Affairs Department.

Personal Passcode entry



Enter new Personal Code + A or B



Rotate handle clockwise then pull door open

SECURITY LOCK-OUT PERIODS:

For added security, the safe will automatically "Lock-out" entry for 15 minutes after three attempts to open with an invalid Passcode.

NOTES

Important: If the handle will not turn

If the handle will not turn to the right after the green light comes on, first turn the handle slightly back to the left until it stops, then turn upwards to the right again to open